

SOLSTICE ELECTRIC FRYER

SE14, SE14C



For high-production electric frying, specify the Pitco Solstice Electric SE14 fryer. The SE14 offers multiple heat input (kilowatt) options to achieve ENERGY STAR® performance and meet various frying demands. It features highly reliable fixed heating elements, environmentally friendly mercury-free contactors, and precise temperature control with a behind-the-door solid-state thermostat including melt cycle and boil-out modes.

STANDARD FRYER FEATURES & ACCESSORIES

- Tank - stainless steel construction
- Cabinet - stainless front, door and sides
- Fixed heating elements
- Solid State T-Stat (SSTC) w/melt cycle and boil out mode
- Mercury Free heating contactors
- High Temperature safety limit switch
- Drain valve interlock
- 32mm Full port drain valve for fast draining
- 9" adjustable legs
- Drain Line Clean out rod
- Element rack
- Removable basket hanger
- Fryer cleaning brush and lid
- Fryer cleaner sample packet
- 2 Baskets per tank

CONTROL OPTIONS

Solid State Control - SE14

Temperature Monitoring
Melt Cycle
Boil Out



12-Button Computer Control - SE14C

Turning On/Off
Temperature Monitoring
Cooking Timer
Shake & Hold Timers
Load Compensation Mode
Boil Out Mode
Melt Cycle
Programming Mode
Adjustable Alarm & Alerts
Password Option



Solid State Control option shown

SOLSTICE ELECTRIC FRYERS

SE14, SE14C



SPECIFICATIONS

Dimensions (W x D x H)	397 x 875 x 1010mm
Cooking area	356 x 356mm
Oil capacity	22 Litres
Rating	17kW
Weight	91Kg

ELECTRICAL REQUIREMENTS

415/240 Volts, 32 amp, 50/60 Hz, 3 ph

FILTER SPECIFICATIONS

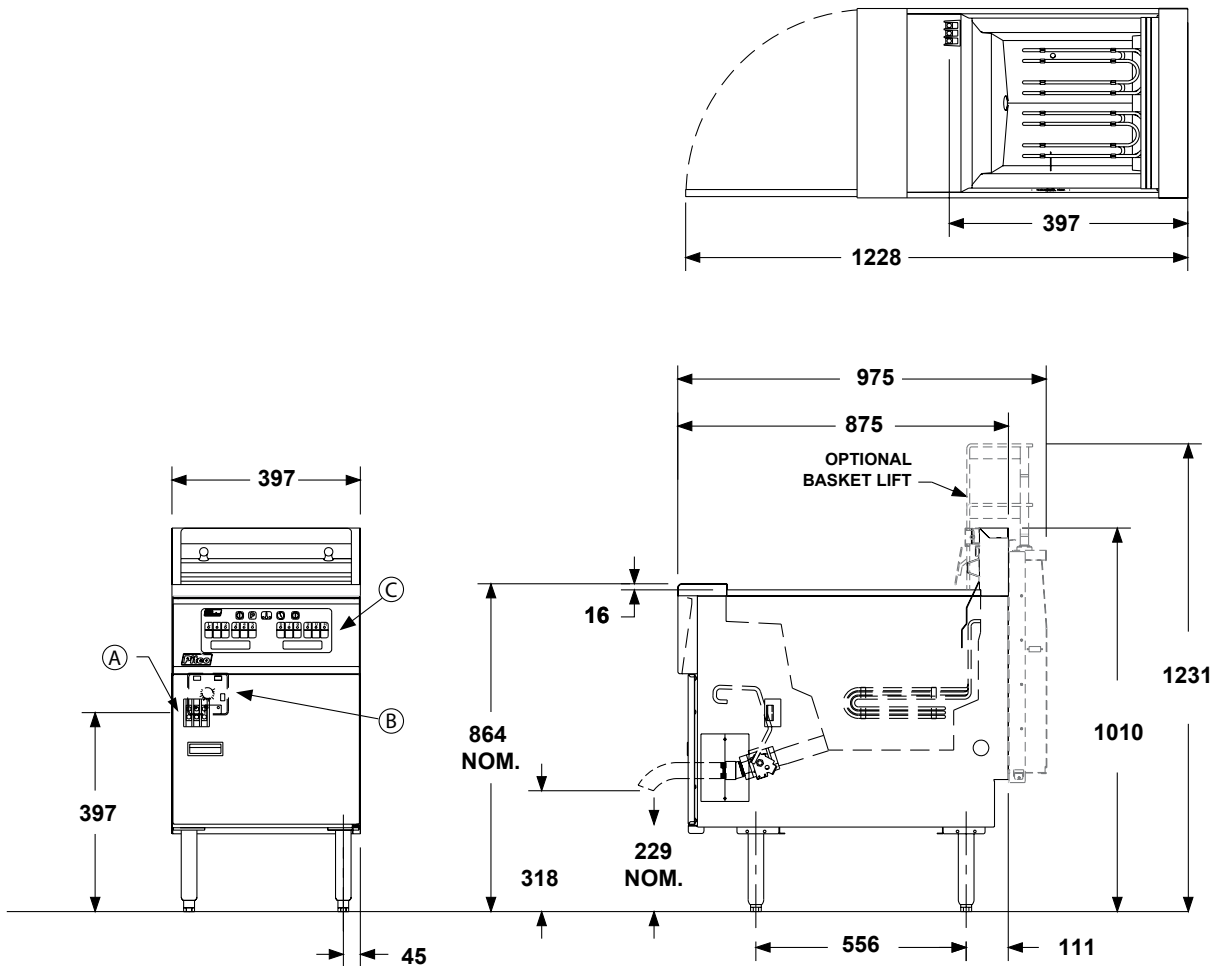
Filter pump rated flow 30LPM

INSTALLATION CLEARANCES

Front min.	762mm
Floor min.	152mm
Combustible material - Sides min.	152mm
Combustible material - Rear min.	152mm
Non-Combustible material - Sides min.	0
Non-Combustible material - Rear min.	0

Power lead and plug required (not included).

- A** Power supply hook-up
- B** Solid State Controls
- C** Computer Control Panel



Please note, due to ongoing product development and improvement, we reserve the right to change product design and specification at any time without notice.